

W E S T W O R L D :

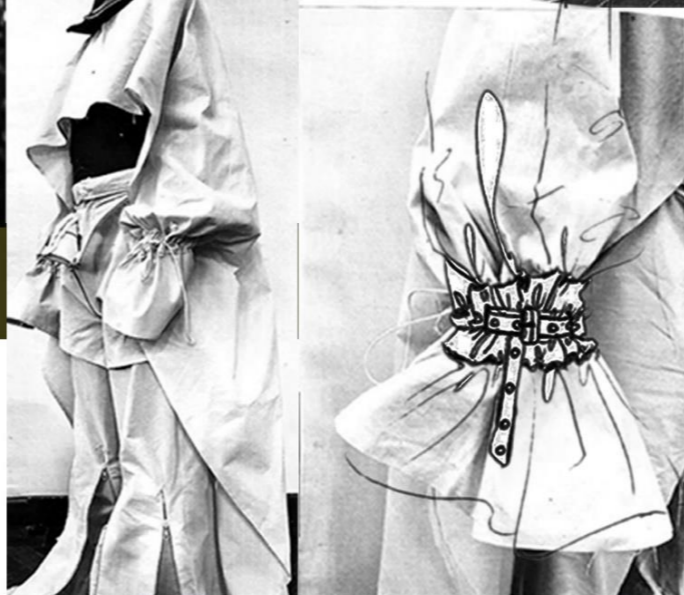
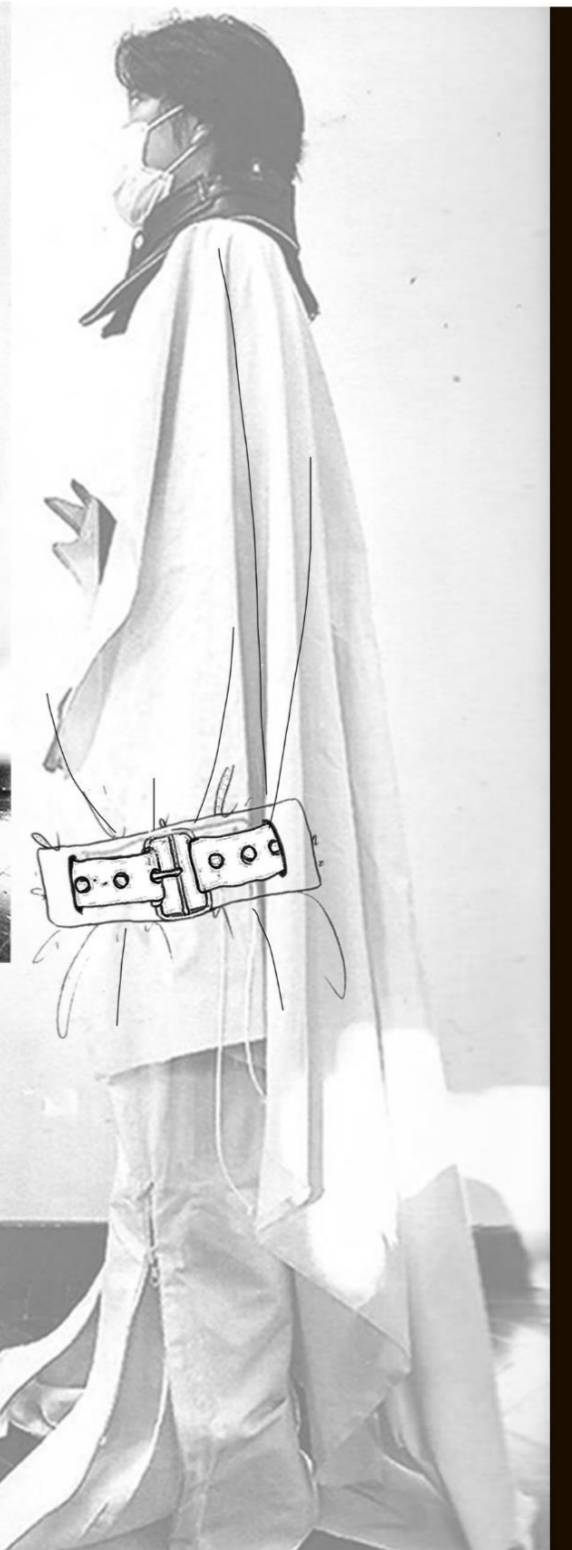
Legends of Tomorrow

Through this project I would like to create a dystopian world in a virtual adventure game, as well as many different game characters and character costumes. I used my favorite game characters as inspiration and created some collages to design my game characters and costumes. Follow the warriors as they create brave and beautiful new worlds in this immersive and radical adventure in the West world.

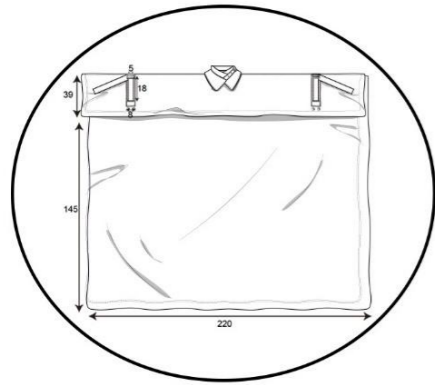
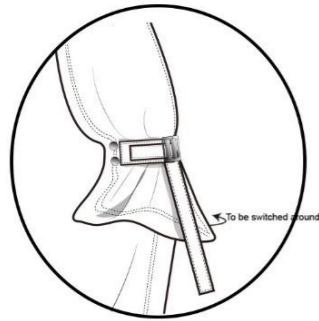
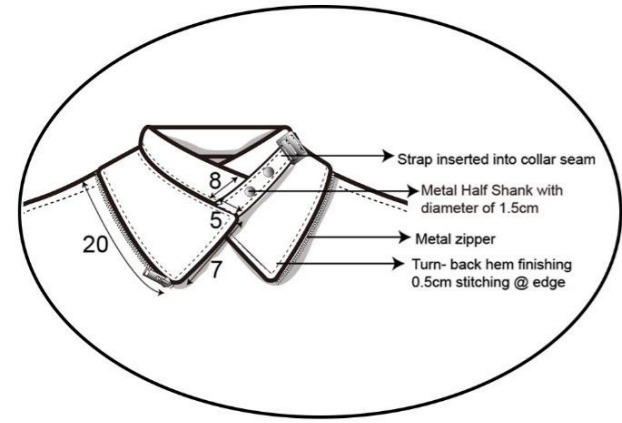




LOOK 1



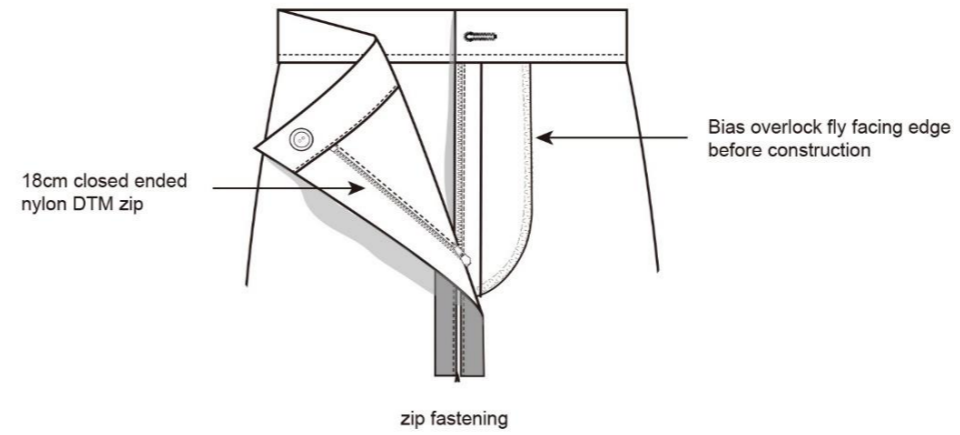
LOOK 1



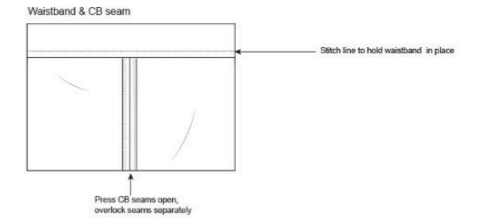
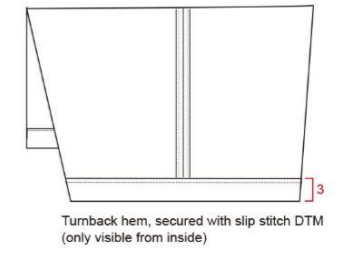
LOOK 1



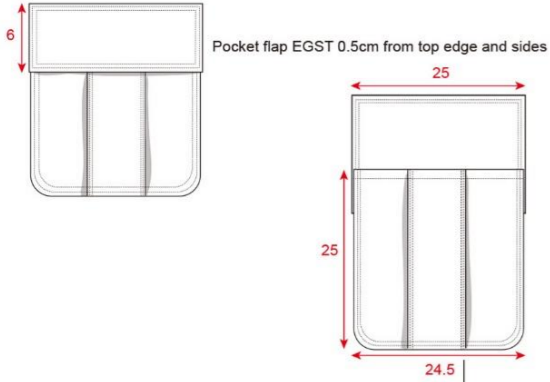
Internal view of fastening



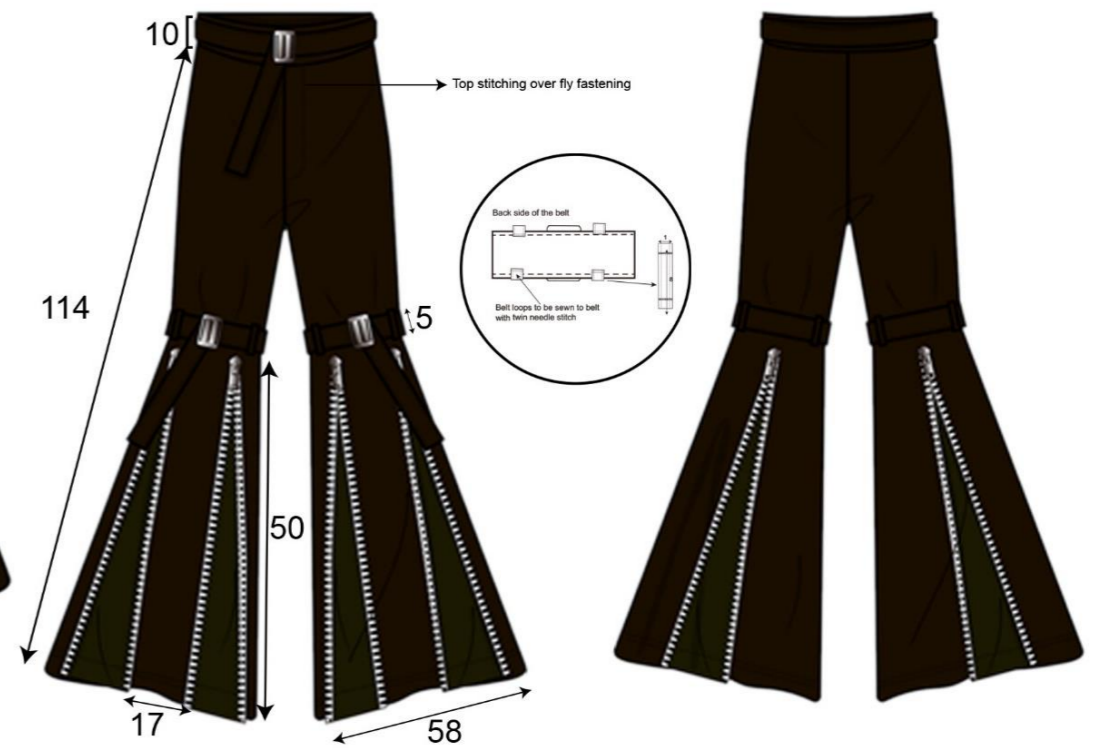
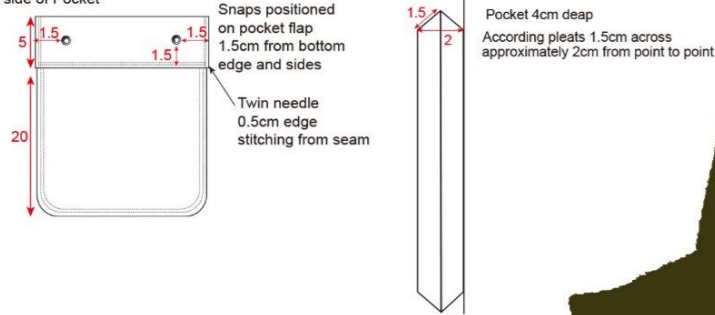
Trouser leg Turnback hem



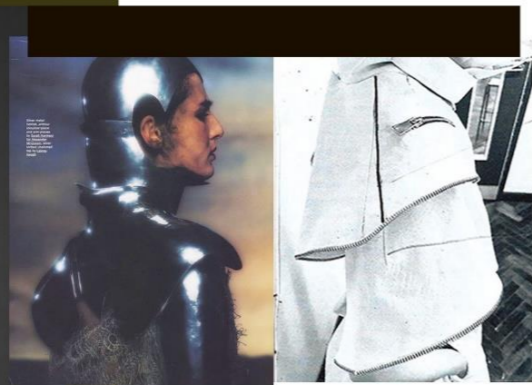
Front side of Pocket



Back side of Pocket



LOOK 3



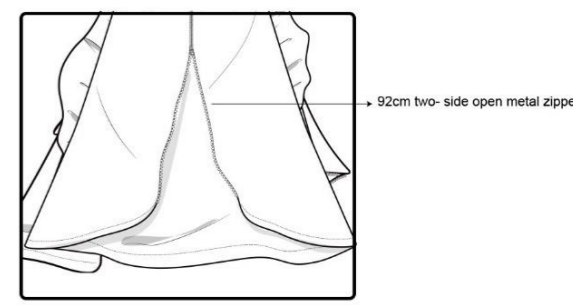
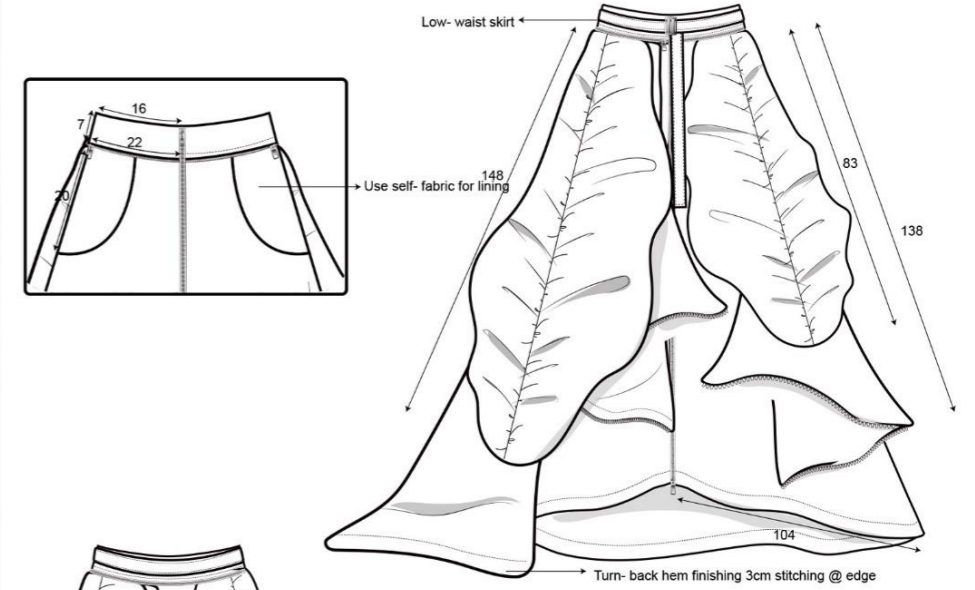
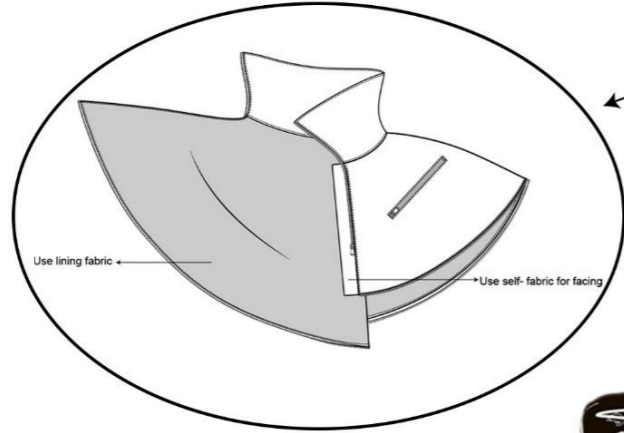
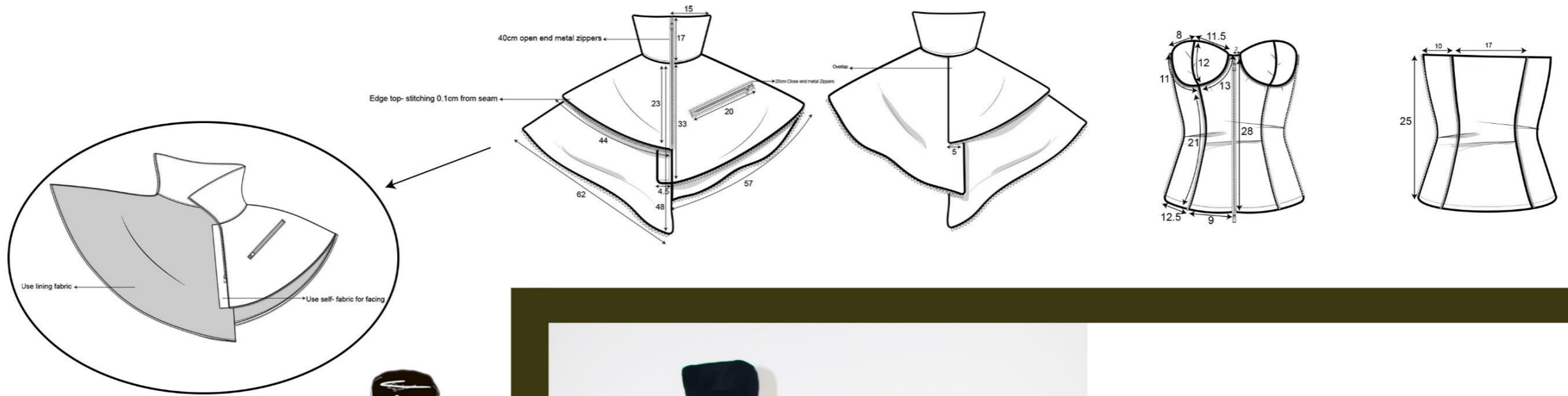
→ CHANGE THE DART POSITION

→ DECREASE THE DART LENGTH

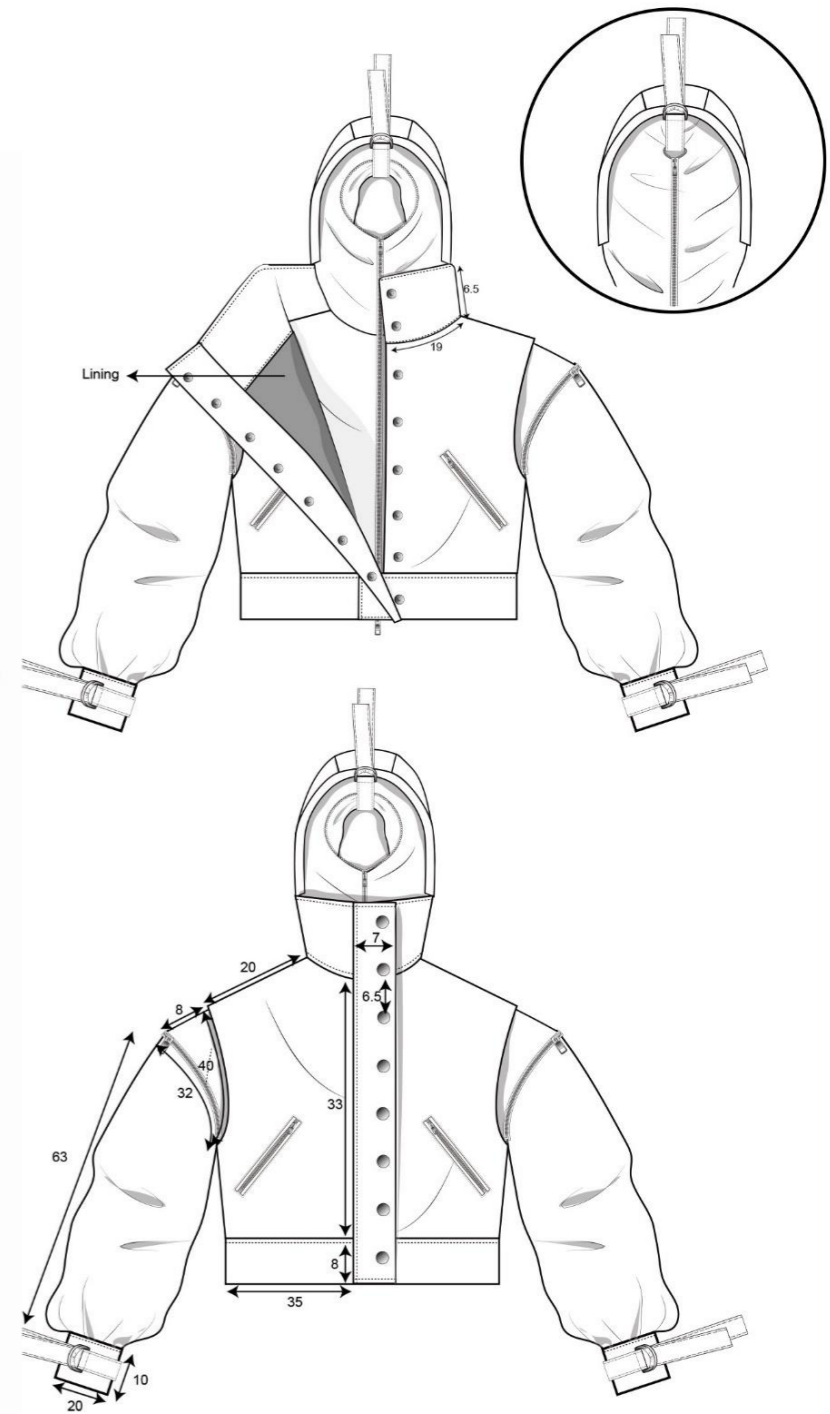
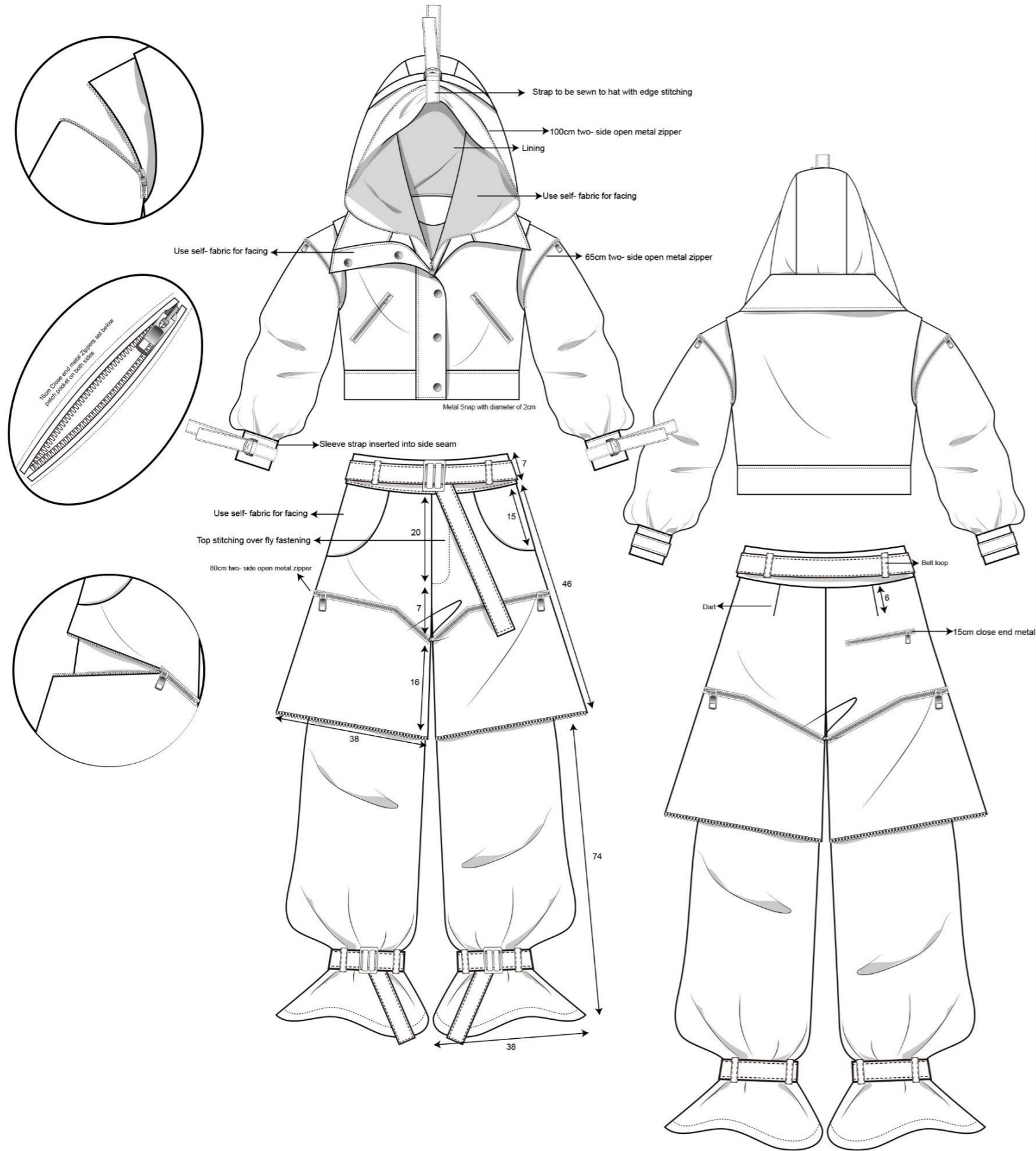
▲ THE VOLUME SHOULD BE BIGGER
ADD A PRESS BUTTON
KEEP THE CB IN A STRAIGHT LINE



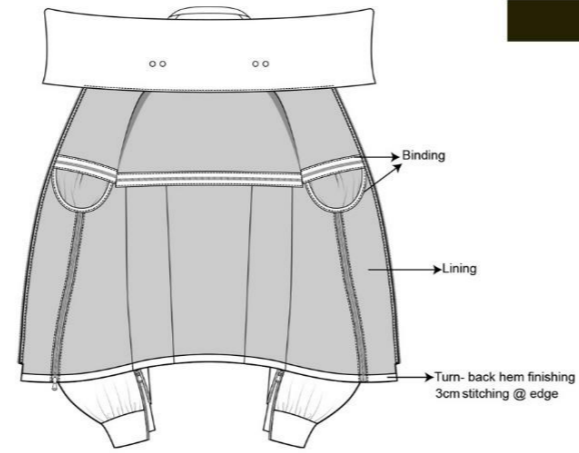
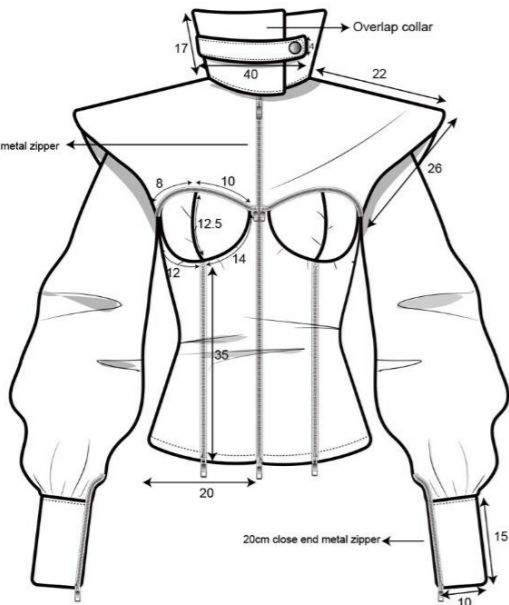
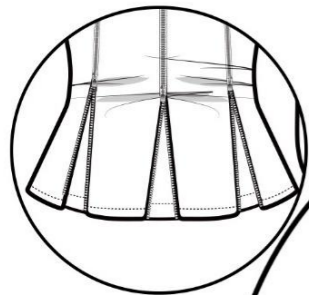
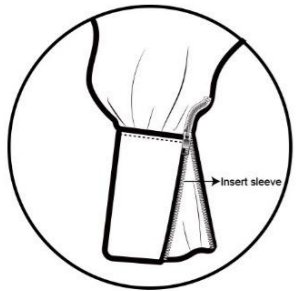
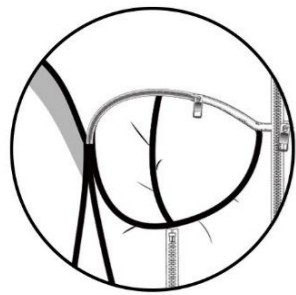
LOOK 3



LOOK 4



LOOK 5



Look 5



3cm HEM

Look 4



3cm HEM

Look 3



3cm HEM

Look 1



Look 2

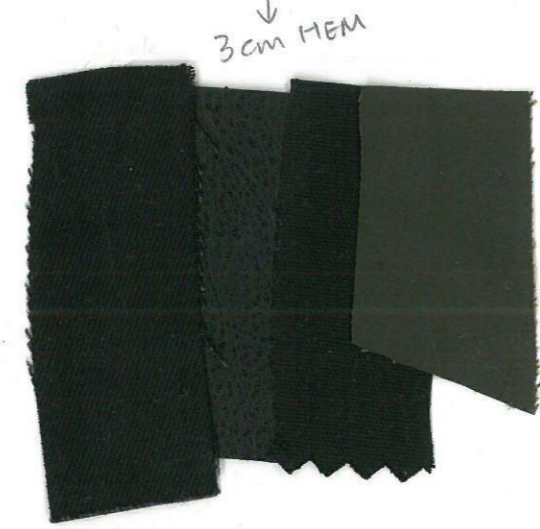


3cm HEM

Look 6



3cm HEM





WEST  WORLD
Legends of Tomorrow